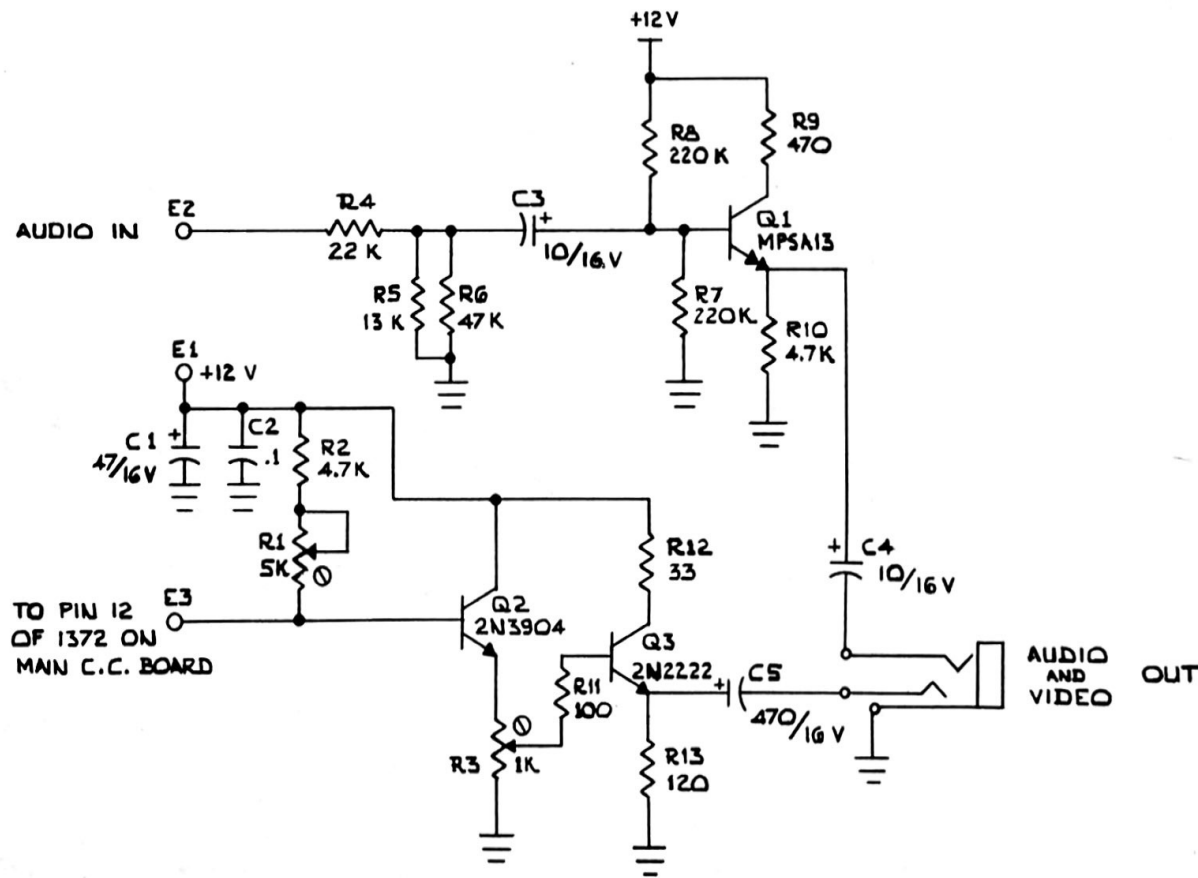


**PROPRIETARY INFORMATION**

THE INFORMATION CONTAINED HEREIN IS PROPRIETARY AND IS EXCLUSIVE PROPERTY OF TANDY CORPORATION. NO REPRODUCTION OF ANY KIND MAY BE MADE WITHOUT THE EXPRESS WRITTEN AUTHORIZATION OF TANDY CORPORATION, 1000 TWO TANDY CENTER, FORT WORTH, TX 76102.

ZONE		REVISION		DATE	APPROVED
LTR	DESCRIPTION				
-	RELEASED FOR PRODUCTION			2-20-84	SPM



2)- ALL CAPACITOR VALUES IN MICRO-FARADS  
 1)- RESISTANCE VALUES IN OHMS, 1/4 WATT  
**NOTES (UNLESS OTHERWISE SPECIFIED):**

RELEASED FOR PRODUCTION

REF.: DRILL PLAN D1700275 REV. PP2

MATERIAL	UNLESS OTHERWISE SPECIFIED	DRAFT	DATE	TITLE
	TOLERANCES XX = ± 0.10 XXX = ± 0.05 ANGLES = 21°	ANGEL G.	1-31-84	SCHEMATIC - DIRECT VIDEO I COLOR COMPUTER OLD CC - TB CC: 26 P.N. 8703514
		CHECK	DATE	
		DESIGN	DATE	
		APPD	DATE	
		APPD	DATE	
FINISH				REV. -
	DIMENSIONS ARE IN INCHES AND APPLY AFTER PLATING	590		DWG NO C-2000223
	DO NOT SCALE THIS DRAWING	USED ON		SCALE SHEET OF NONE 1 1

**TANDY**