

## WD177X-00 Floppy Disk Formatter/Controller

### FEATURES

- 28 PIN DIP
- SINGLE 5V SUPPLY
- BUILT-IN DIGITAL DATA SEPARATOR
- BUILT-IN WRITE PRECOMPENSATION
- SINGLE (FM) AND DOUBLE (MFM) DENSITY
- MOTOR CONTROL (WD1770 AND WD1772)
- 128, 256, 512 OR 1024 SECTOR LENGTHS
- TTL COMPATIBLE
- 8-BIT BI-DIRECTIONAL DATA BUS
- TWO VERSIONS AVAILABLE  
WD1770/WD1773 = STANDARD 179X STEP RATES  
WD1772 = FASTER STEP RATES
- THE WD1773 HAS 100% COMPATIBLE SOFTWARE WITH THE WD1793

### GENERAL DESCRIPTION

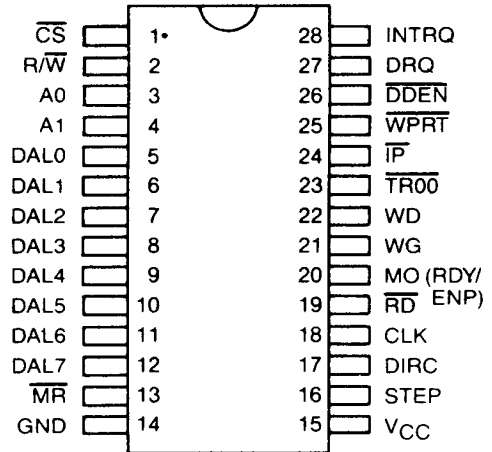
The WD177X-00 is a MOS/LSI device which performs the functions of a Floppy Disk Formatter/Controller. It is similar to its predecessor, the FD179X, but also contains a digital data separator and write precompensation circuitry. The drive side of the interface needs no additional logic except for buffers/receivers. It is designed for single (FM) or double (MFM) density operation.

The WD177X-00 is implemented in NMOS silicon gate technology and is available in a 28-pin dual-in-line as well as in quad pack.

Three versions of the WD177X-00 are available. The WD1770, WD1772 and the WD1773.

With the exception of the enable precomp/ready line, the WD1773 is identical to the WD1770 controller. It is fully software compatible with the WD1793. The WD1770-00 and WD1773-00 are compatible with the FD179X stepping rates, while the WD1772-00 offers stepping rates of 2, 3, 6, and 12 msec.

The WD177X-00 devices all contain a built-in digital data separator which virtually eliminates all external components and adjustments associated with data



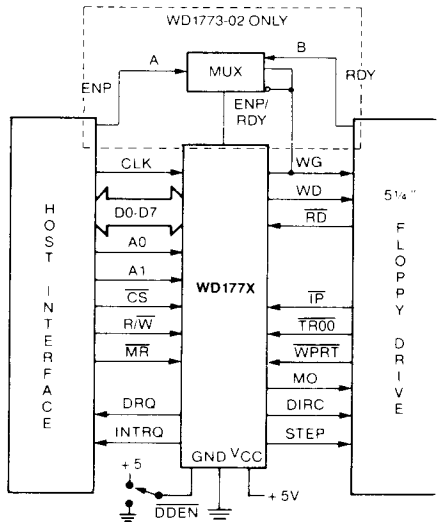
### DIP PIN DESIGNATION

recovery in previous designs. A single read line (RD, Pin 19) is the only input required to recover serial FM or MFM data from the disk drive. The device is designed for control of floppy disk drives with data rates of 125 KBits/Sec (single density) and 250 KBits/Sec (double density). In addition, write precompensation of 125 nsec from nominal is enabled at any point through simple software commands. Another programmable feature on the WD1770/WD1772 is Motor On, which enables the spindle motor automatically prior to operating a selected drive.

The processor interface consists of an 8-bit bi-directional bus for transfer of status, data, and commands. All Host communication with the drive occurs through these lines. They are capable of driving one standard TTL load or three LS loads.

| PIN NUMBER      | MNEMONIC          | SIGNAL NAME                         | I/O        | FUNCTION   |                 |    |    |         |         |   |   |   |            |             |   |   |   |           |           |   |   |   |            |            |   |   |   |          |          |
|-----------------|-------------------|-------------------------------------|------------|--|-----------------|----|----|---------|---------|---|---|---|------------|-------------|---|---|---|-----------|-----------|---|---|---|------------|------------|---|---|---|----------|----------|
| 1               | $\overline{CS}$   | $\overline{CHIP\ SELECT}$           | I          | A logic low on this input selects the chip and enables Host communication with the device.   |                 |    |    |         |         |   |   |   |            |             |   |   |   |           |           |   |   |   |            |            |   |   |   |          |          |
| 2               | $\overline{R/W}$  | $\overline{READ/WRITE}$             | I          | A logic high on this input controls the placement of data on the D0-D7 lines from a selected register, while a logic low causes a write operation to a selected register.  |                 |    |    |         |         |   |   |   |            |             |   |   |   |           |           |   |   |   |            |            |   |   |   |          |          |
| 3,4             | A0,A1             | ADDRESS 0,1                         | I          | These two inputs select a register to Read/Write data:<br><table border="1" style="margin-left: 20px;"> <thead> <tr> <th><math>\overline{CS}</math></th> <th>A1</th> <th>A0</th> <th>R/W = 1</th> <th>R/W = 0</th> </tr> </thead> <tbody> <tr> <td>0</td> <td>0</td> <td>0</td> <td>Status Reg</td> <td>Command Reg</td> </tr> <tr> <td>0</td> <td>0</td> <td>1</td> <td>Track Reg</td> <td>Track Reg</td> </tr> <tr> <td>0</td> <td>1</td> <td>0</td> <td>Sector Reg</td> <td>Sector Reg</td> </tr> <tr> <td>0</td> <td>1</td> <td>1</td> <td>Data Reg</td> <td>Data Reg</td> </tr> </tbody> </table> | $\overline{CS}$ | A1 | A0 | R/W = 1 | R/W = 0 | 0 | 0 | 0 | Status Reg | Command Reg | 0 | 0 | 1 | Track Reg | Track Reg | 0 | 1 | 0 | Sector Reg | Sector Reg | 0 | 1 | 1 | Data Reg | Data Reg |
| $\overline{CS}$ | A1                | A0                                  | R/W = 1    | R/W = 0  |                 |    |    |         |         |   |   |   |            |             |   |   |   |           |           |   |   |   |            |            |   |   |   |          |          |
| 0               | 0                 | 0                                   | Status Reg | Command Reg  |                 |    |    |         |         |   |   |   |            |             |   |   |   |           |           |   |   |   |            |            |   |   |   |          |          |
| 0               | 0                 | 1                                   | Track Reg  | Track Reg  |                 |    |    |         |         |   |   |   |            |             |   |   |   |           |           |   |   |   |            |            |   |   |   |          |          |
| 0               | 1                 | 0                                   | Sector Reg | Sector Reg   |                 |    |    |         |         |   |   |   |            |             |   |   |   |           |           |   |   |   |            |            |   |   |   |          |          |
| 0               | 1                 | 1                                   | Data Reg   | Data Reg   |                 |    |    |         |         |   |   |   |            |             |   |   |   |           |           |   |   |   |            |            |   |   |   |          |          |
| 5-12            | DAL0-DAL7         | DATA ACCESS LINES<br>0 THROUGH 7    | I/O        | Eight-bit bi-directional bus used for transfer of data, control, or status. This bus is enabled by $\overline{CS}$ and R/W. Each line will drive one TTL load.   |                 |    |    |         |         |   |   |   |            |             |   |   |   |           |           |   |   |   |            |            |   |   |   |          |          |
| 13              | $\overline{MR}$   | $\overline{MASTER\ RESET}$          | I          | A logic low pulse on this line resets the device and initializes the Status Register (internal pull-up).   |                 |    |    |         |         |   |   |   |            |             |   |   |   |           |           |   |   |   |            |            |   |   |   |          |          |
| 14              | GND               | GROUND                              |            | Ground.  |                 |    |    |         |         |   |   |   |            |             |   |   |   |           |           |   |   |   |            |            |   |   |   |          |          |
| 15              | $V_{CC}$          | POWER SUPPLY                        | I          | +5V $\pm$ 5% power supply input.   |                 |    |    |         |         |   |   |   |            |             |   |   |   |           |           |   |   |   |            |            |   |   |   |          |          |
| 16              | STEP              | STEP                                | O          | The Step output contains a pulse for each step of the drive's R/W head. The WD1770-00 and WD1772-00 offer different step rates.  |                 |    |    |         |         |   |   |   |            |             |   |   |   |           |           |   |   |   |            |            |   |   |   |          |          |
| 17              | DIRC              | DIRECTION                           | O          | The Direction output is high when stepping in towards the center of the diskette, and low when stepping out.   |                 |    |    |         |         |   |   |   |            |             |   |   |   |           |           |   |   |   |            |            |   |   |   |          |          |
| 18              | CLK               | CLOCK                               | I          | This input requires a free-running 50% duty cycle clock (for internal timing) at 8 MHz $\pm$ 0.1%.   |                 |    |    |         |         |   |   |   |            |             |   |   |   |           |           |   |   |   |            |            |   |   |   |          |          |
| 19              | $\overline{RD}$   | $\overline{READ\ DATA}$             | I          | This active low input is the raw data line containing both clock and data pulses from the drive.   |                 |    |    |         |         |   |   |   |            |             |   |   |   |           |           |   |   |   |            |            |   |   |   |          |          |
| 20              | RDY/ENP           | READY/ENABLE<br>PRECOMP<br>(WD1773) | I          | Serves as a READY input from the drive during READ/STEP operations and as a Write Precomp enable during Write operations. The state of READY is latched upon WG true, and this dual input is used for precompensation enable.  |                 |    |    |         |         |   |   |   |            |             |   |   |   |           |           |   |   |   |            |            |   |   |   |          |          |
| 20              | MO                | MOTOR ON<br>(WD1770 or<br>WD-1772)  | O          | Active high output used to enable the spindle motor prior to read, write or stepping operations. (WD1770, WD1772 only)   |                 |    |    |         |         |   |   |   |            |             |   |   |   |           |           |   |   |   |            |            |   |   |   |          |          |
| 21              | WG                | WRITE GATE                          | O          | This output is made valid prior to writing on the diskette.  |                 |    |    |         |         |   |   |   |            |             |   |   |   |           |           |   |   |   |            |            |   |   |   |          |          |
| 22              | WD                | WRITE DATA                          | O          | FM or MFM clock and data pulses are placed on this line to be written on the diskette.   |                 |    |    |         |         |   |   |   |            |             |   |   |   |           |           |   |   |   |            |            |   |   |   |          |          |
| 23              | $\overline{TR00}$ | $\overline{TRACK\ 00}$              | I          | This active low input informs the WD1770-00 that the drive's R/W heads are positioned over Track zero.   |                 |    |    |         |         |   |   |   |            |             |   |   |   |           |           |   |   |   |            |            |   |   |   |          |          |
| 24              | $\overline{IP}$   | $\overline{INDEX\ PULSE}$           | I          | This active low input informs the WD1770-00 when the physical index hole has been encountered on the diskette.   |                 |    |    |         |         |   |   |   |            |             |   |   |   |           |           |   |   |   |            |            |   |   |   |          |          |
| 25              | $\overline{WPRT}$ | $\overline{WRITE\ PROTECT}$         | I          | This input is sampled whenever a Write Command is received. A logic low on this line will prevent any Write Command from executing (internal pull-up).   |                 |    |    |         |         |   |   |   |            |             |   |   |   |           |           |   |   |   |            |            |   |   |   |          |          |

| PIN NUMBER | MNEMONIC | SIGNAL NAME           | I/O | FUNCTION   |
|------------|----------|-----------------------|-----|--|
| 26         | DDEN     | DOUBLE DENSITY ENABLE | I   | This input pin selects either single (FM) or double (MFM) density. When DDEN = 0, double density is selected (internal pull-up). |
| 27         | DRQ      | DATA REQUEST          | O   | This active high output indicates that the Data Register is full (on a Read) or empty (on a Write operation).                    |
| 28         | INTRQ    | INTERRUPT REQUEST     | O   | This active high output is set at the completion of any command, is reset by a read of the Status Register.                      |



WD177X-02 SYSTEM BLOCK DIAGRAM

### ARCHITECTURE

The primary sections of the Floppy Disk Formatter are the Parallel Processor Interface and the Floppy Disk Interface.

**Data Shift Register** – This 8-bit register assembles serial data from the Read Data input (RD) during Read operations and transfers serial data to the Write Data output during Write operations.

**Data Register** – This 8-bit register is used as a holding register during Disk Read and Write operations. In disk Read operations, the assembled data byte is transferred in parallel to the Data Register from the Data Shift Register. In Disk Write operations, information is transferred in parallel from the Data Register to the Data Shift Register.

When executing the Seek Command, the Data Register holds the address of the desired Track posi-

tion. This register is loaded from the DAL and gated onto the DAL under processor control.

**Track Register** – This 8-bit register holds the track number of the current Read/Write head position. It is incremented by one every time the head is stepped in and decremented by one when the head is stepped out (towards track 00). The contents of the register are compared with the recorded track number in the ID field during disk Read, Write, and Verify operations. The Track Register can be loaded from or transferred to the DAL. This Register is not loaded when the device is busy.

**Sector Register (SR)** – This 8-bit register holds the address of the desired sector position. The contents of the register are compared with the recorded sector number in the ID field during disk Read or Write operations. The Sector Register contents can be loaded from or transferred to the DAL. This register is not loaded when the device is busy.

**Command Register (CR)** – This 8-bit register holds the command presently being executed. This register is not loaded when the device is busy unless the new command is a force interrupt. The Command Register is loaded from the DAL, but not read onto the DAL.

**Status Register (STR)** – This 8-bit register holds device Status information. The meaning of the Status bits is a function of the type of command previously executed. This register is read onto the DAL, but not loaded from the DAL.

**CRC Logic** – This logic is used to check or to generate the 16-bit Cyclic Redundancy Check (CRC). The polynomial is:

$$G(x) = x^{16} + x^{12} + x^5 + 1.$$

The CRC includes all information starting with the address mark and up to the CRC characters. The CRC Register is preset to ones prior to data being shifted through the circuit.

**Arithmetic/Logic Unit (ALU)** - The ALU is a serial comparator, incremter, and decremter and is used for register modification and comparisons with the disk recorded ID field.

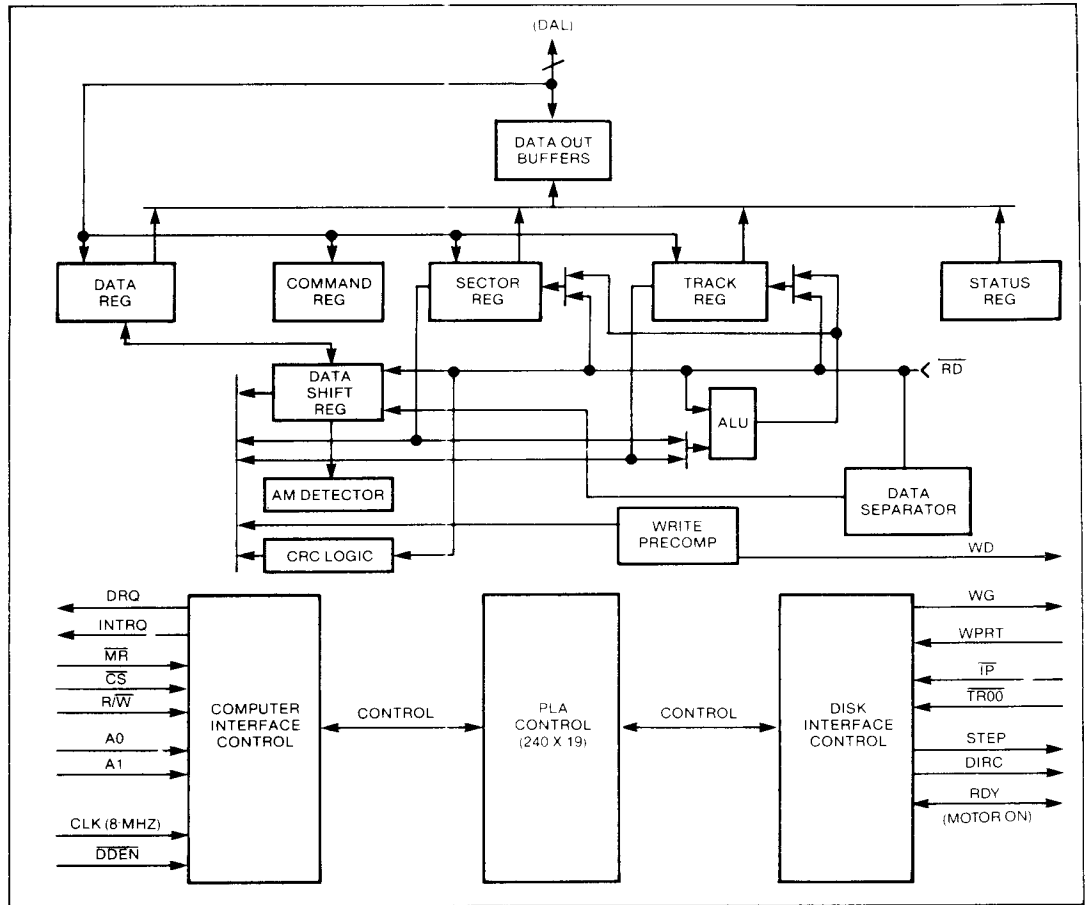


FIGURE 1. WD177X-00 BLOCK DIAGRAM

**Timing and Control** – All computer and Floppy Disk interface controls are generated through this logic. The internal device timing is generated from an external crystal clock. The WD177X-00 has two different modes of operation according to the state of DDEN.

When  $\overline{DDEN} = 0$ , double density (MFM) is enabled. When  $DDEN = 1$ , single density is enabled.

**AM Detector** – The address mark detector detects ID, data and index address marks during read and write operations.

**Data Separator** – A digital data separator consisting of a ring shift register and data window detection logic provides read data and a recovery clock to the AM detector.

### PROCESSOR INTERFACE

The interface to the processor is accomplished through the eight Data Access Lines (DAL) and associated control signals. The DAL are used to transfer Data, Status, and Control words out of, or into the WD177X-00. The DAL are three state buffers that are enabled as output drivers when  $\overline{CS}$  and  $R/\overline{W} = 1$  are active or act as input receivers when  $\overline{CS}$  and  $R/\overline{W} = 0$  are active.

When transfer of data with the Floppy Disk Controller is required by the Host processor, the device address is decoded and  $\overline{CS}$  is made low. The address bits A1 and A0, combined with the signal  $R/\overline{W}$  during a Read operation or Write operation are interpreted as selecting the following registers:

| A1 - A0 | READ (R/W = 1)  | WRITE (R/W = 0)  |
|---------|-----------------|------------------|
| 0 0     | Status Register | Command Register |
| 0 1     | Track Register  | Track Register   |
| 1 0     | Sector Register | Sector Register  |
| 1 1     | Data Register   | Data Register    |

After any register is written to, the same register cannot be read from until 16  $\mu$ sec in MFM or 32  $\mu$ sec in FM have elapsed.

During Direct Memory Access (DMA) types of data transfers between the Data Register of the WD177X-00 and the processor, the Data Request (DRQ) output is used in Data Transfer control. This signal also appears as status bit 1 during Read and Write operations.

On Disk Read operations the Data Request bit is activated (set high) when an assembled serial input byte is transferred in parallel to the Data Register. This bit is cleared when the Data Register is read by the processor. If the Data Register is read after one or more characters are lost, by having new data transferred into the register prior to processor readout, the Lost Data bit is set in the Status Register. The Read operations continue until the end of sector is reached.

On Disk Write operations the Data Request bit is activated when the Data Register transfers its contents to the Data Shift Register, and requires a new data byte. It is reset when the Data Register is loaded with new data by the processor. If new data is not loaded at the time the next serial byte is required by the Floppy Disk, a byte of zeroes is written on the diskette and the Lost Data bit is set in the Status Register.

At the completion of every command an INTRQ is generated. INTRQ is reset by either reading the Status Register or by loading the Command Register with a new command. In addition, INTRQ is generated if a Force Interrupt Command condition is met.

The WD177X-00 has two modes of operation according to the state DDEN. When DDEN = 1, single density is selected. In either case, the CLK input is at 8 MHz.

#### GENERAL DISK READ OPERATIONS

Sector lengths of 128, 256, 512 or 1024 are obtainable in either FM or MFM formats. For FM, DDEN is placed to logical 1. For MFM formats, DDEN is placed to a logical 0. Sector lengths are determined at format time by the fourth byte in the ID field.

| SECTOR LENGTH TABLE       |                                     |
|---------------------------|-------------------------------------|
| SECTOR LENGTH FIELD (HEX) | NUMBER OF BYTES IN SECTOR (DECIMAL) |
| 00                        | 128                                 |
| 01                        | 256                                 |
| 02                        | 512                                 |
| 03                        | 1024                                |

The number of sectors per track for the WD177X-00 are from 1 to 240. The number of tracks for the WD177X-00 are 0 to 240.

#### GENERAL DISK WRITE OPERATION

When writing on the diskette the WG output is activated, allowing current to flow into the Read/Write head. As a precaution to erroneous writing the first data byte is loaded into the Data Register in response to a Data Request from the device before the WG is activated.

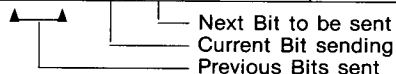
Writing is inhibited when the  $\overline{\text{WPRT}}$  input is asserted, in which case any Write Command is immediately terminated, an interrupt is generated and the Write Protect Status bit is set.

For Write operations, the WD177X-00 provides WG to enable a Write condition, and WD which consists of a series of active high pulses. These pulses contain both Clock and Data information in FM and MFM. WD provides the unique missing clock patterns for recording Address Marks.

The WD1773-00 enables write precompensation when RDY/ENP is asserted. When WG is asserted the READY status has been latched. WG is then used to demultiplex drive Ready Status from Host supplied enable for write precompensation at desired tracks.

On the WD1770-02 or WD1772-00, the Precomp Enable bit in Write Commands allows automatic Write precompensation to take place. The outgoing Write Data stream is delayed or advanced from nominal by 125 nsec according to the following table:

| PATTERN |   |   |   | MFM   | FM  |
|---------|---|---|---|-------|-----|
| X       | 1 | 1 | 0 | Early | N/A |
| X       | 0 | 1 | 1 | Late  | N/A |
| 0       | 0 | 0 | 1 | Early | N/A |
| 1       | 0 | 0 | 0 | Late  | N/A |



Precompensation is typically enabled on the innermost tracks where bit shifts usually occur and bit density is at its maximum. READY is true for read/write operations (all Type II and III Command executions).

#### COMMAND DESCRIPTION

The WD177X-00 accepts 11 commands. Command words are only loaded in the Command Register when the Busy Status bit is off (Status bit 0). The one exception is the Force Interrupt Command. Whenever a command is being executed, the Busy Status bit is set. When a command is completed, an interrupt is generated and the Busy Status bit is reset. The Status Register indicates whether the completed command encountered an error or was fault free. Commands are divided into four types and are summarized in the following pages.

## COMMAND SUMMARY

| TYPE | COMMAND      | BITS |   |   |   |                |                |                |                |
|------|--------------|------|---|---|---|----------------|----------------|----------------|----------------|
|      |              | 7    | 6 | 5 | 4 | 3              | 2              | 1              | 0              |
| I    | Restore      | 0    | 0 | 0 | 0 | h              | V              | r <sub>1</sub> | r <sub>0</sub> |
| I    | Seek         | 0    | 0 | 0 | 1 | h              | V              | r <sub>1</sub> | r <sub>0</sub> |
| I    | Step         | 0    | 0 | 1 | u | h              | V              | r <sub>1</sub> | r <sub>0</sub> |
| I    | Step-in      | 0    | 1 | 0 | u | h              | V              | r <sub>1</sub> | r <sub>0</sub> |
| I    | Step-out     | 0    | 1 | 1 | u | h              | V              | r              | r <sub>0</sub> |
| II   | Read Sector  | 1    | 0 | 0 | m | h/s            | E              | 0/C            | 0              |
| II   | Write Sector | 1    | 0 | 1 | m | h/s            | E              | P/C            | a <sub>0</sub> |
| III  | Read         |      |   |   |   |                |                |                |                |
|      | Address      | 1    | 1 | 0 | 0 | h/o            | E              | 0              | 0              |
| III  | Read Track   | 1    | 1 | 1 | 0 | h/o            | E              | 0              | 0              |
| III  | Write Track  | 1    | 1 | 1 | 1 | h/o            | E              | P/O            | 0              |
| IV   | Force        |      |   |   |   |                |                |                |                |
|      | Interrupt    | 1    | 1 | 0 | 1 | I <sub>3</sub> | I <sub>2</sub> | I <sub>1</sub> | I <sub>0</sub> |

## FLAG SUMMARY

| TYPE I COMMANDS  |                |           |           |  |
|--|----------------|-----------|-----------|--|
| <b>h = Motor On Flag (Bit 3) (1770/2).</b>                     |                |           |           |  |
| h = 0, Enable Spin-up Sequence                                 |                |           |           |  |
| h = 1, Disable Spin-up Sequence                                |                |           |           |  |
| <b>V = Verify Flag (Bit 2) (1770/2/3)</b>                      |                |           |           |  |
| V = 0, No Verify   |                |           |           |  |
| V = 1, Verify on Destination Track                             |                |           |           |  |
| <b>r<sub>1</sub>, r<sub>0</sub> = Stepping Rate (Bits 1,0)</b> |                |           |           |  |
| WD1770-00  |                |           |           |  |
| r <sub>1</sub>   | r <sub>0</sub> | WD1773-00 | WD1772-00 |  |
| 0  | 0              | 6 ms      | 6 ms      |  |
| 0  | 1              | 12 ms     | 12 ms     |  |
| 1  | 0              | 20 ms     | 2 ms      |  |
| 1  | 1              | 30 ms     | 3 ms      |  |
| <b>u = Update Flag (Bit 4) (1770/2/3)</b>                      |                |           |           |  |
| u = 0, No Update   |                |           |           |  |
| u = 1, Update Track Register                                   |                |           |           |  |

| TYPE II & III COMMANDS                                      |  |  |  |  |
|---|--|--|--|--|
| <b>m = Multiple Sector Flag (Bit 4) (1770/2/3)</b>          |  |  |  |  |
| m = 0, Single Sector  |  |  |  |  |
| m = 1, Multiple Sector                                      |  |  |  |  |
| <b>H = Motor on Flag (Bit 3) (1770/2)</b>                   |  |  |  |  |
| H = 0, Enable Spin-up Sequence                              |  |  |  |  |
| H = 1, Disable Spin-up Sequence                             |  |  |  |  |
| <b>S = Side Compare Flag (Bit 3) (1773 only)</b>            |  |  |  |  |
| S = 0, Compare for side 0                                   |  |  |  |  |
| S = 1, Compare for side 1                                   |  |  |  |  |
| For all Type III commands bit 3 must be 0.                  |  |  |  |  |
| <b>a<sub>0</sub> = Data Address Mark (Bit 0) (1770/2/3)</b> |  |  |  |  |
| a <sub>0</sub> = 0, Write Normal Data Mark                  |  |  |  |  |
| a <sub>0</sub> = 1, Write Deleted Data Mark                 |  |  |  |  |

## TYPE II &amp; III COMMANDS (Continued)

**E = 30ms Settling Delay (Bit 2) (1770/2/3)**

E = 0, No Delay

E = 1, Add 30ms Delay (1772 Add 15ms Delay\*)

**C = Side Compare Flag (Bit 1) (1773 only)**

C = 0, Disable Side Compare

C = 1, Enable Side Compare

For all Type III commands bit 1 must be 0.

**P = Write Precompensation (Bit 1) (1770/2/3)**

P = 0, Enable Write Precomp

P = 1, Disable Write Precomp

## TYPE IV COMMANDS

**I<sub>3-I<sub>0</sub></sub>** Interrupt Condition (Bits 3-0)I<sub>0</sub> = Not Used (WD1770-00, WD1772-00)

Not Ready to Ready Transition (WD1773-00)

I<sub>1</sub> = Not Used (WD1770-00, WD1772-00)

Ready to Not Ready Transition (WD1773-00)

I<sub>2</sub> = Interrupt on Index PulseI<sub>3</sub> = Immediate InterruptI<sub>3-I<sub>0</sub></sub> = Terminate without interrupt

## TYPE I COMMANDS

The Type I Commands include the Restore, Seek, Step, Step-in, and Step-Out Commands. Each of the Type I Commands contains a rate field (r<sub>0</sub>, r<sub>1</sub>), which determines the stepping motor rate.

A 4 μsec (MFM) or 8 μsec (FM) pulse is provided as an output to the drive. For every step pulse issued, the drive moves one track location in a direction determined by the direction output. The chip steps the drive in the same direction it last stepped unless the command changes the direction.

The Direction signal is active high when stepping in and low when stepping out. The Direction signal is valid 24 μsec before the first stepping pulse is generated.

After the last directional step an additional \*30 msec of head settling time takes place if the Verify flag is set in Type I Commands. There is also a \*30 msec head settling time if the E flag is set in any Type II or III Command.

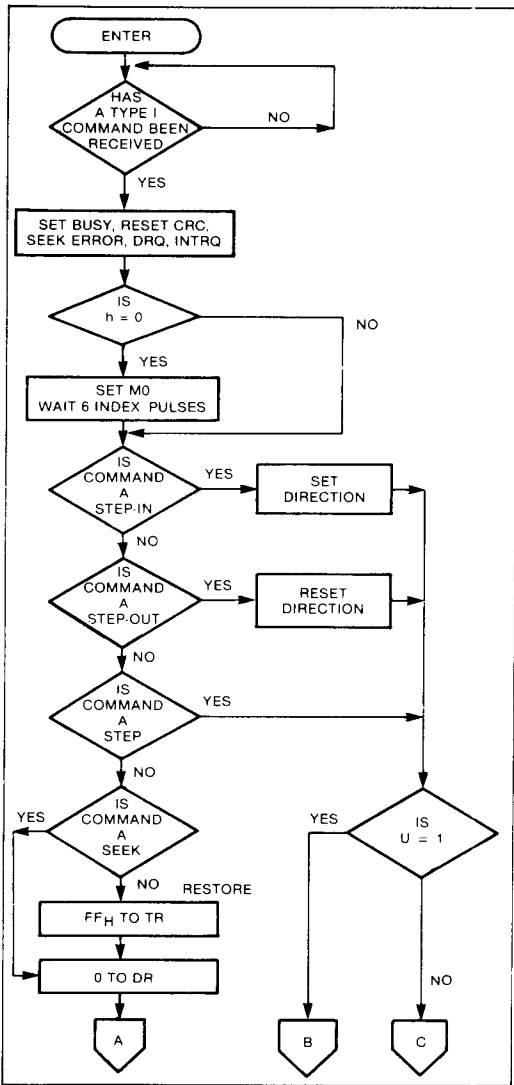
When a Seek, Step or Restore Command is executed, an optional verification of Read/Write head position can be performed by setting bit 2 (V = 1) in the command word to a logic 1. The verification operation begins at the end of the \*30 msec settling time after the head is loaded against the media. The track number from the first encountered ID Field is compared against the contents of the Track Register. If the track numbers compare and the ID Field CRC is correct, the verify operation is complete and an INTRQ is generated with no errors. If there is a match but not

a valid CRC, the CRC error status bit is set (Status Bit 3), and the next encountered ID Field is read from the disk for the verification operation.

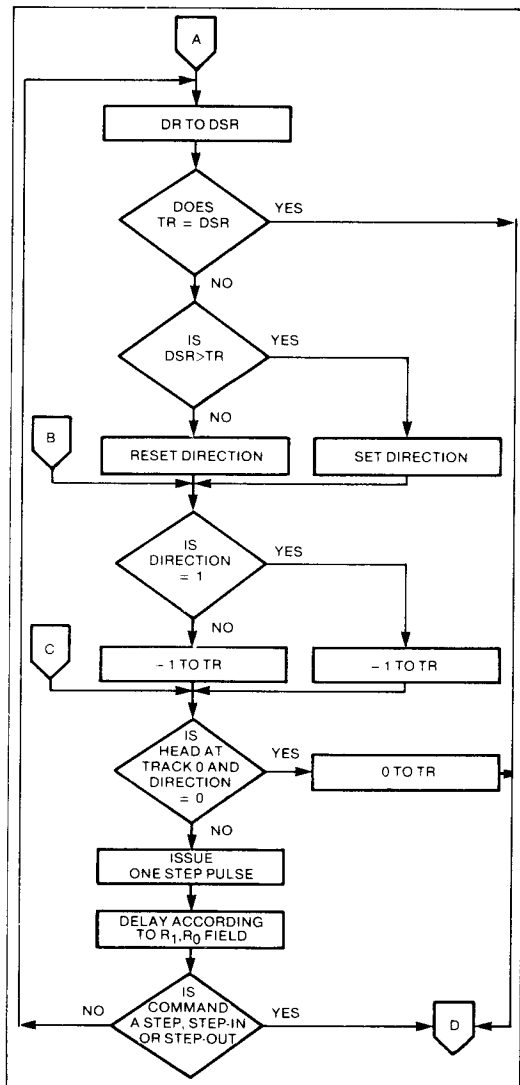
The WD177X-00 finds an ID Field with correct track number and correct CRC within 5 revolutions of the media, or the seek error is set and an INTRQ is generated. If  $V = 0$ , no verification is performed.

On the WD1770-00 and WD1772-00 only, all commands, except the Force Interrupt Command, are pro-

grammed via the h Flag to delay for spindle motor start up time. If the h Flag is not set and the MO signal is low when a command is received, the WD1770/2-00 forces MO to a logic 1 and waits 6 revolutions before executing the command. At 300 RPM, this guarantees a one second spindle start up time. If after finishing the command, the device remains idle for 9 revolutions, the MO signal goes back to a logic 0. If a command is issued while MO



TYPE I COMMAND FLOW



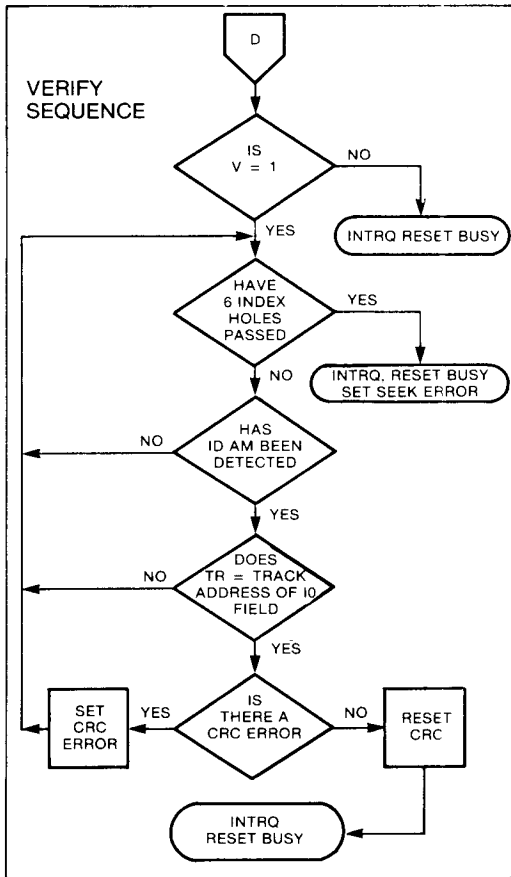
TYPE I COMMAND FLOW

is high, the command executes immediately, defeating the 6 revolution start up. This feature allows consecutive Read or Write commands without waiting for motor start up each time; the WD1770/2-00 assumes the spindle motor is up to speed.

#### RESTORE (SEEK TRACK 0)

Upon receipt of this command, the Track 00 (TR00) input is sampled. If TR00 is active low indicating the Read/Write head is positioned over track 0, the Track Register is loaded with zeroes and an interrupt is generated. If TR00 is not active low, stepping pulses at a rate specified by the  $r_1, r_0$  field are issued until the TR00 input is activated.

At this time, the Track Register is loaded with zeroes and an interrupt is generated. If the TR00 input does not go active low after 255 stepping pulses, the WD177X-00 terminates operation, interrupts, and sets the Seek Error status bit, providing the V flag is set.



TYPE I COMMAND FLOW

A verification operation also takes place if the V flag is set. The h bit allows the Motor On option at the start of a command.

#### SEEK

This command assumes that the Track Register contains the track number of the current position of the Read/Write head and the Data Register contains the desired track number. The WD177X-00 updates the Track Register and issues stepping pulses in the appropriate direction until the contents of the Track Register are equal to the contents of the Data Register (the desired track location). A verification operation takes place if the V flag is on. The h bit allows the Motor On option at the start of the command. An interrupt is generated at the completion of the command. Note: When using multiple drives, the Track Register is updated for the drive selected before seeks are issued.

#### STEP

Upon receipt of this command, the WD177X-00 issues one Stepping Pulse to the disk drive. The stepping motor direction is the same as in the previous step command. After a delay determined by the  $r_1, r_0$  field, a verification takes place if the V flag is on. If the U flag is on, the Track Register is updated. The h bit allows the Motor On option at the start of the command. An interrupt is generated at the completion of the command.

#### STEP-IN

Upon receipt of this command, the WD177X-00 issues one Stepping Pulse in the direction towards track 76. If the U flag is on, the Track Register is incremented by one. After a delay determined by the  $r_1, r_0$  field, a verification takes place if the V flag is on. The h bit allows the Motor On option at the start of the command. An interrupt is generated at the completion of the command.

#### STEP-OUT

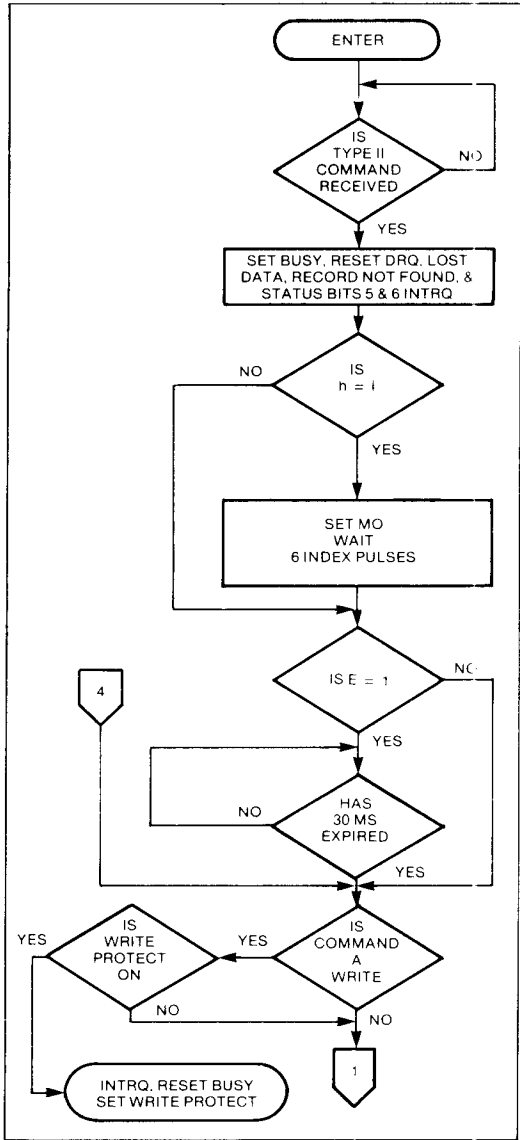
Upon receipt of this command, the WD177X-00 issues one stepping pulse in the direction towards track 0. If the U flag is on, the Track Register is decremented by one. After delay determined by the  $r_1, r_0$  field, a verification takes place if the V flag is on. The h bit allows the Motor On option at the start of the command. An interrupt is generated at the completion of the command.

#### TYPE II COMMANDS

The Type II Commands are the Read Sector and Write Sector commands. Prior to loading the Type II Command into the Command Register, the computer loads the Sector Register with the desired sector number. Upon receipt of the Type II command, the Busy Status bit is set. If the E flag = 1 the command executes after a 30 msec delay.

When an ID field is located on the disk, the WD177X-00 compares the Track Number on the ID field with the Track Register. If there is not a match, the next encountered ID field is read and a comparison is again made. If there is a match, the Sec-





**TYPE II COMMAND**

tor Number of the ID field is compared with the Sector Register. If there is no Sector match, the next encountered ID field is read off the disk and comparisons again made. If the ID field CRC is correct, the data field is located and is either written into, or read from, depending upon the command. The WD177X-00 finds an ID field with a Track number, Sector number, and CRC within four revolutions of the disk, or, the Record Not Found Status bit is set (Status Bit 4) and the command is terminated with an INTRQ.

Each of the Type II Commands contains an m flag which determines if multiple records (sectors) are read or written, depending upon the command. If m = 0, a single sector is read or written and an interrupt is generated at the completion of the command. If m = 1, multiple records are read or written with the Sector Register internally updated so that an address verification occurs on the next record. The WD177X-00 continues to read or write multiple records and updates the Sector Register in numerical ascending sequence until the Sector Register exceeds the number of sectors on the track or until the Force Interrupt Command is loaded into the Command Register, which terminates the command and generates an interrupt.

For example: If the WD177X-00 is instructed to read sector 27 and there are only 26 on the track, the Sector Register exceeds the number available. The WD177X-00 searches for 5 disk revolutions, interrupts, resets Busy, and sets the Record Not Found Status Bit.

**READ SECTOR**

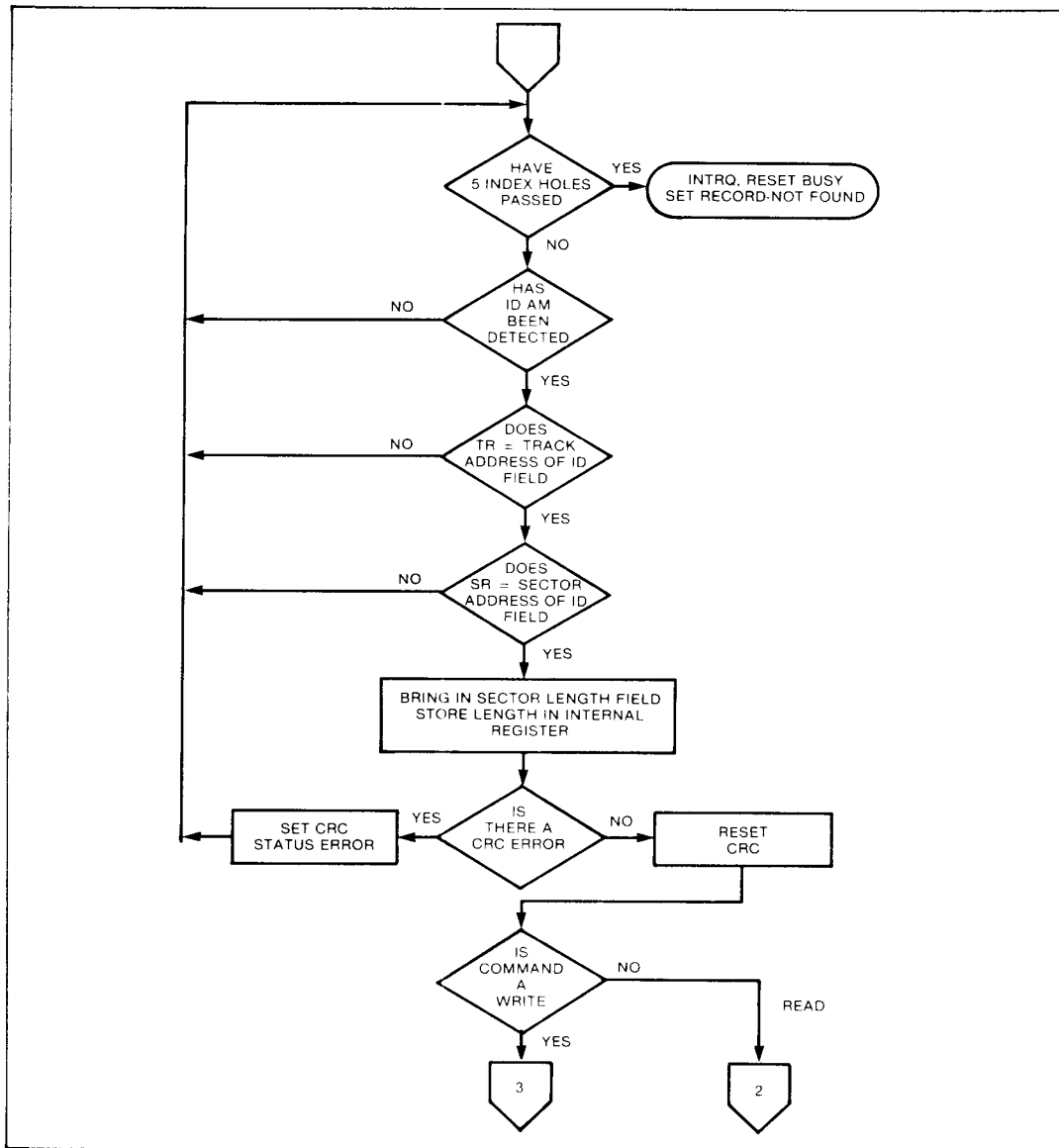
Upon receipt of the Read Sector Command, the Busy Status Bit is set, then when an ID field is encountered that has the correct track number, correct sector number, and correct CRC, the data field is presented to the computer. The Data Address Mark of the data field is found with 30 bytes in single density and 43 bytes in double density of the last ID field CRC byte. If not, the ID field is searched for and verified again followed by the Data Address Mark search. If, after five revolutions the DAM is not found, the Record Not Found Status Bit is set and the operation is terminated. When the first character or byte of the data field is shifted through the DSR, it is transferred to the DR, and DRQ is generated. When the next byte is accumulated in the DSR, it is transferred to the DR and another DRQ is generated. If the computer has not read the previous contents of the DR before a new character is transferred that character is lost and the Lost Data Status Bit is set. This sequence continues until the complete data field is inputted to the computer. If there is a CRC error at the end of the data field, the CRC Error Status bit is set, and the command is terminated (even if it is a multiple record command).

At the end of the Read operation, the type of Data Address Mark encountered in the data field is recorded in the Status Register (Bit 5) as shown:

| STATUS BIT 5 |                   |
|--------------|-------------------|
| 1            | Deleted Data Mark |
| 0            | Data Mark         |

**WRITE SECTOR**

Upon receipt of the Write Sector Command, the Busy Status Bit is set. When an ID field is encountered that has the correct track number, correct sector number, and correct CRC, a DRQ is generated. The WD177X-00 counts off 11 bytes in single density and 22 bytes in double density from the CRC field and the WG

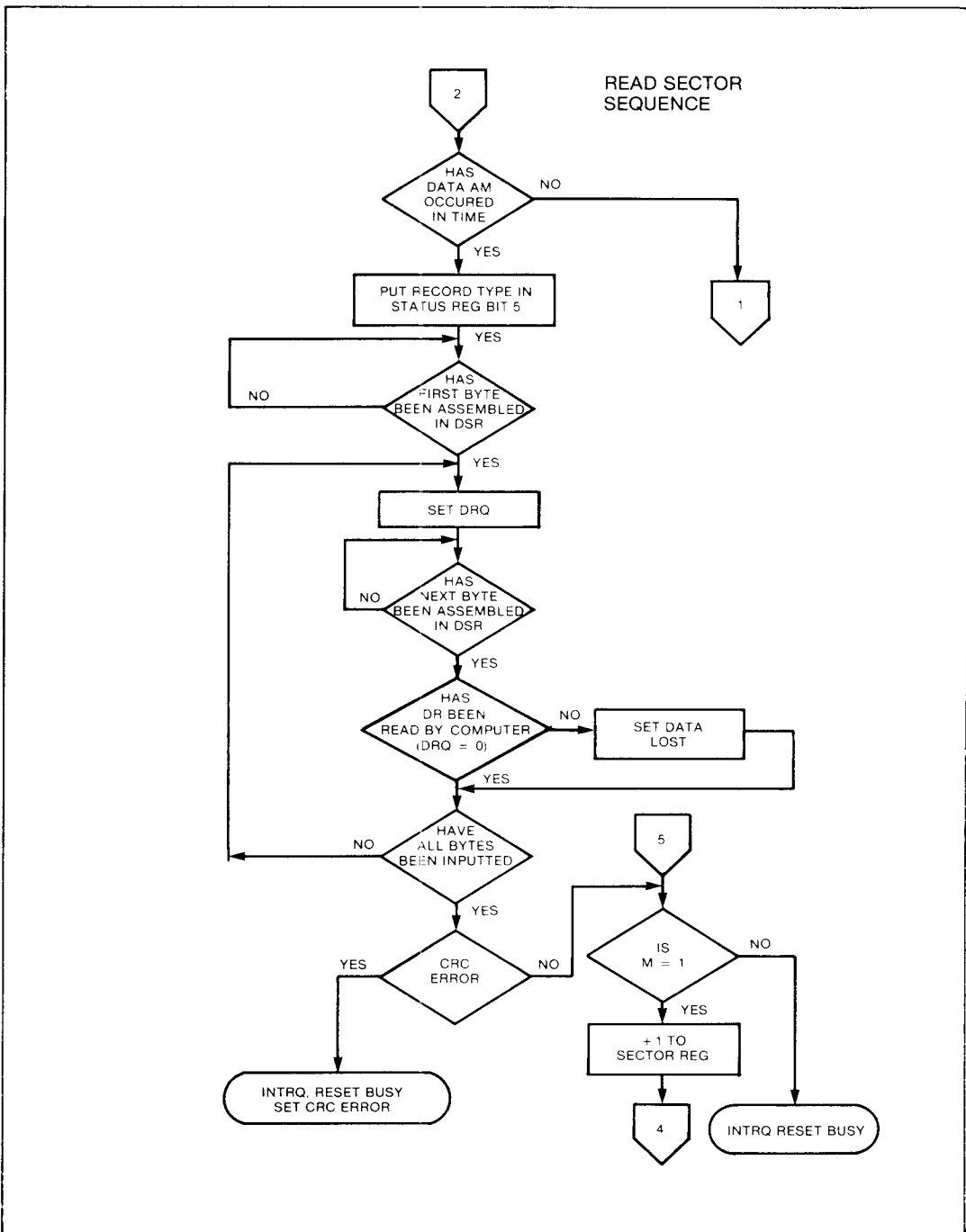


TYPE II COMMAND

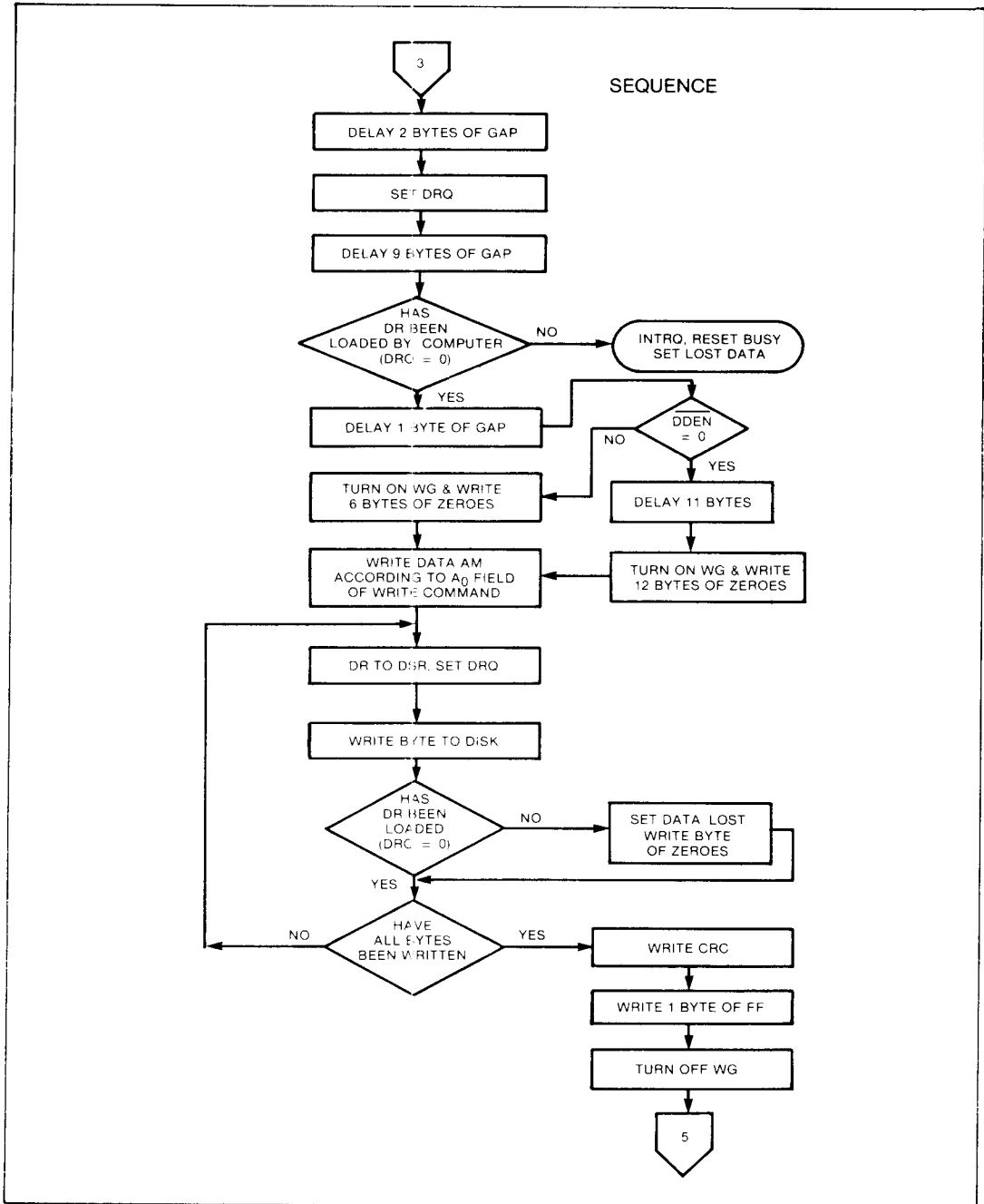
output is made active if the DRQ is serviced (i.e., the DR is loaded by the computer). If DRQ is not serviced, the command is terminated and the Lost Data Status Bit is set. If the DRQ is serviced, the WG is made active and six bytes of zeroes in single density and 12 bytes in double density are written on the disk. The Data Address Mark is then written on the disk as determined by the  $a_0$  field of the command as shown:

| $a_0$ | DATA ADDRESS MARK (BIT 0) |
|-------|---------------------------|
| 1     | Deleted Data Mark         |
| 0     | Data Mark                 |

The WD177X-00 writes the data field and generates DRQ's to the computer. If the DRQ is not serviced in time for continuous writing the Lost Data Status



**TYPE II COMMAND**



TYPE II COMMAND

Bit is set and a byte of zeroes is written on the disk. The command is not terminated. After the last data byte is written on the disk, the two-byte CRC is computed internally and written on the disk followed by one byte of logic ones in FM or in MFM. The WG output is then deactivated. INTRQ sets 24  $\mu$ sec (MFM) after the last CRC byte is written. For partial sector writing, the proper method is to write data and fill the balance with zeroes.

### TYPE III COMMANDS

#### Read Address

Upon receipt of the Read Address Command, the Busy Status Bit is set. The next encountered ID field is then read in from the disk, and six data bytes of the ID field are assembled and transferred to the DR, and a DRQ is generated for each byte. The six bytes of the ID field are shown:

| TRACK ADDR | SIDE NUMBER | SECTOR ADDR | SECTOR LENGTH | CRC 1 | CRC 2 |
|------------|-------------|-------------|---------------|-------|-------|
| 1          | 2           | 3           | 4             | 5     | 6     |

Although the CRC characters are transferred to the computer, the WD177X-00 checks for validity and the CRC error status bit is set if there is a CRC error. The Track Address of the ID field is written into the sector register so that a comparison can be made by the user. At the end of the operation an interrupt is generated and the Busy Status is reset.

#### Read Track

Upon receipt of the Read Track Command, the head is loaded and the Busy Status bit is set. Reading starts with the leading edge of the first encountered index pulse and continues until the next index pulse. All Gap, Header, and data bytes are assembled and transferred to the data register and DRQ's are generated for each byte. The accumulation of bytes is synchronized to each address mark encountered. An interrupt is generated at the completion of the command.

This command has several characteristics which make it suitable for diagnostic purposes. They are: no CRC checking is performed; gap information is

included in the data stream; and the Address Mark Detector is on for the duration of the command. Because the AM detector is always on, write splices or noise may cause the chip to look for an AM.

The ID AM, ID field, ID CRC bytes, DAM, Data, and Data CRC Bytes for each sector are correct. The Gap Bytes may be read incorrectly during write-splice time because of synchronization.

### WRITE TRACK FORMATTING THE DISK

(Refer to section on TYPE III commands for flow diagrams.)

Data and gap information are provided at the computer interface. Formatting the disk is accomplished by positioning the R/W head over the desired track number and issuing the Write Track Command.

Upon receipt of the Write Track Command, the Busy Status Bit is set. Writing starts with the leading edge of the first encountered Index Pulse and continues until the next Index Pulse, at which time the interrupt is activated. The Data Request is activated immediately upon receiving the command, but writing does not start until after the first byte is loaded into the Data Register. If the DR is not loaded within three byte times, the operation is terminated making the device Not Busy, the Lost Data Status Bit is set, and the interrupt is activated. If a byte is not present in the DR when needed, a byte of zeroes is substituted.

This sequence continues from one Index Pulse to the next. Normally whatever data pattern appears in the Data Register is written on the disk with a normal clock pattern. However, if the WD177X-00 detects a data pattern of F5 through FE in the Data Register, this is interpreted as Data Address Marks with missing clocks or CRC generation.

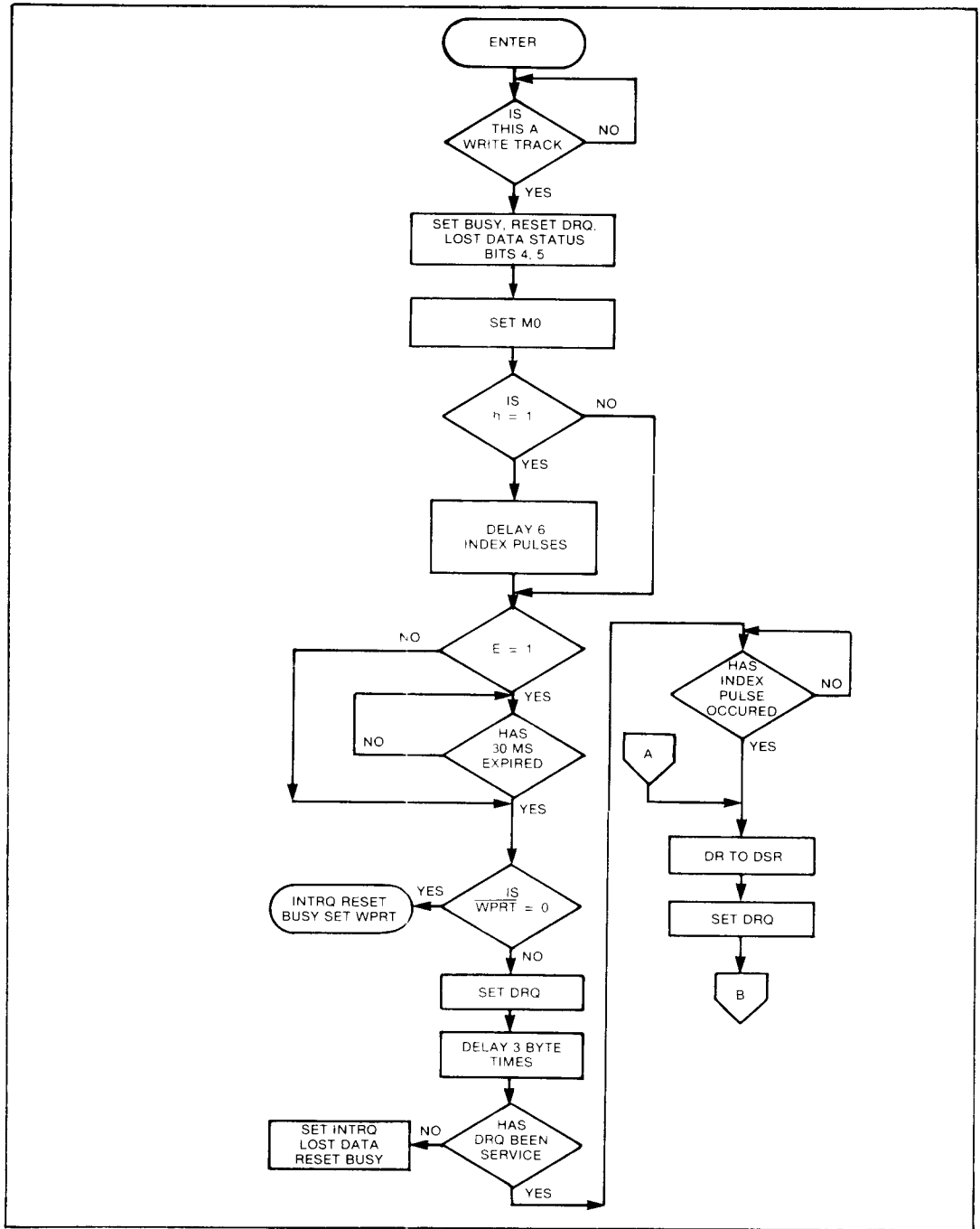
The CRC generator is initialized when any data byte from F8 to FE is transferred from the DR to the DSR in FM or by receipt of F5 in MFM. An F7 pattern generates two CRC characters in FM or MFM. As a consequence, the patterns F5 through FE do not appear in the gaps, data field, or ID fields. Also, CRC's are generated by an F7 pattern.

Disks are formatted in IBM 3740 or System 34 formats with sector lengths of 128, 256, 512, or 1024 bytes.

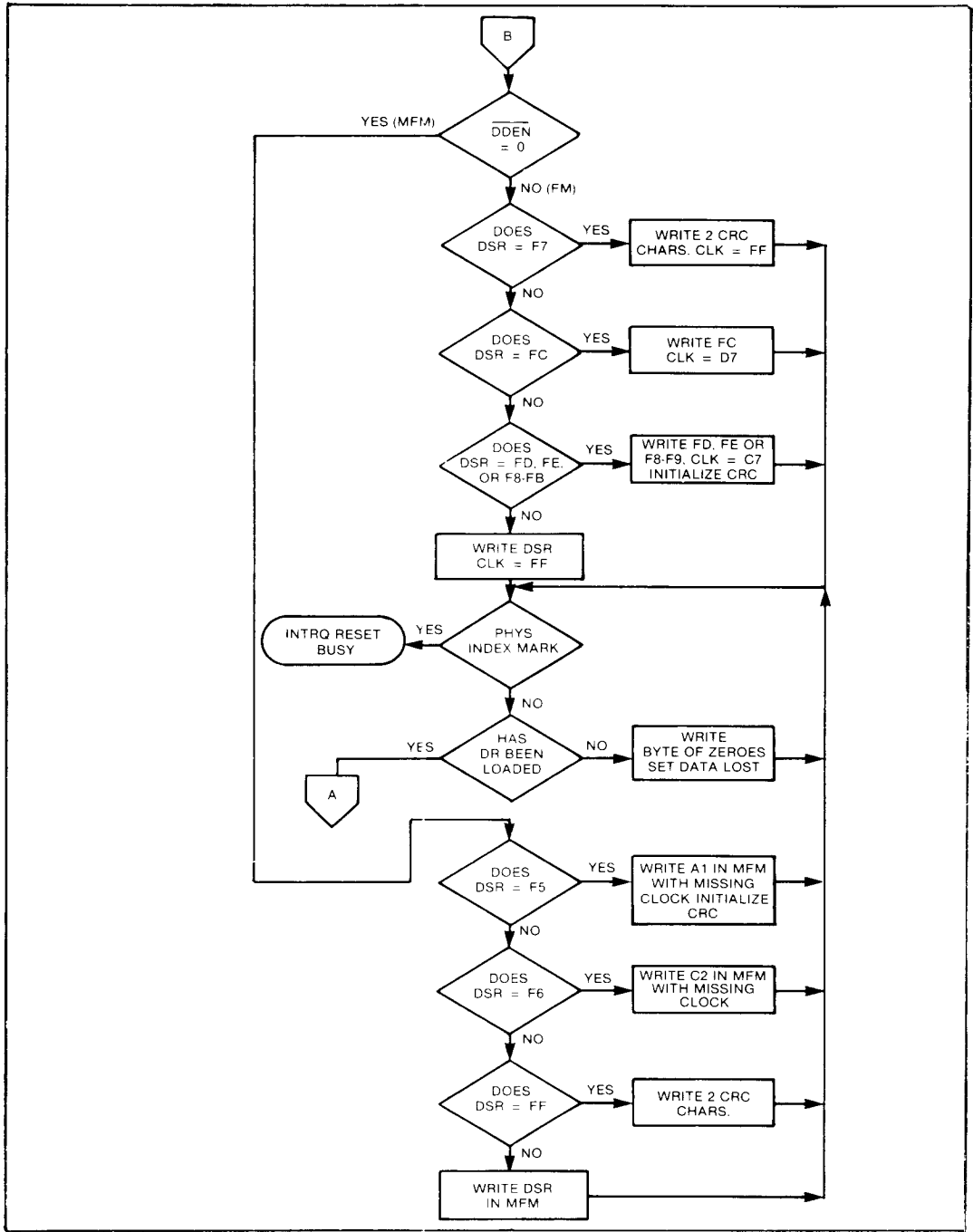
| DATA PATTERN IN DR (HEX) | IN FM ( $\overline{\text{DDEN}} = 1$ ) | IN MFM ( $\overline{\text{DDEN}} = 0$ ) |
|--------------------------|--|---|
| 00 thru F4               | Write 00 thru F4 with CLK = FF         | Write 00 thru F4, in MFM                |
| F5                       | Not Allowed                            | Write A1* in MFM, Present CRC           |
| F6                       | Not Allowed                            | Write C2** in MFM                       |
| F7                       | Generate 2 CRC bytes                   | Generate 2 CRC bytes                    |
| F8 thru FB               | Write F8 thru FB, CLK = C7, Preset CRC | Write F8 thru FB, in MFM                |
| FC                       | Write FC with CLK = D7                 | Write FC in MFM                         |
| FD                       | Write FD with CLK = FF                 | Write FD in MFM                         |
| FE                       | Write FE, CLK = C7, Preset CRC         | Write FE in MFM                         |
| FF                       | Write FF with CLK = FF                 | Write FF in MFM                         |

\*Missing clock transition between bits 4 and 5.

\*\*Missing clock transition between bits 3 and 4.



TYPE III COMMAND WRITE TRACK



TYPE III COMMAND WRITE TRACK

## TYPE IV COMMANDS

The Forced Interrupt Command is used to terminate a multiple sector read or write command or to insure Type I status in the Status Register. This command is loaded into the Command Register at any time. If there is a current command under execution (Busy Status Bit set) the command is terminated and the Busy Status Bit reset.

The lower four bits of the command determine the conditional interrupt as follows:

- $l_0$  = Not used (WD1770-00, WD1772-00), Not Ready To Ready Transition (WD1773-00)
- $l_1$  = Not Used (WD1770-00, WD1772-00), Ready To Not Ready Transition (WD1773-00)
- $l_2$  = Every Index Pulse
- $l_3$  = Immediate Interrupt

The conditional interrupt is enabled when the corresponding bit positions of the command ( $l_3-l_0$ ) are set to a 1. When the condition for interrupt is met the INTRQ line goes high signifying that the condition specified has occurred. If  $l_3-l_0$  are all set to zero (Hex D0), no interrupt occurs but any command presently under execution is immediately terminated. When using the immediate interrupt condition ( $l_3 = 1$ ) an interrupt is immediately generated and the current command terminated. Reading the status or writing to the Command Register does not automatically clear the interrupt. The Hex D0 is the only command that enables the immediate interrupt (Hex D8) to clear on a subsequent load Command Register or Read Status Register operation. Follow a Hex D8 with D0 command.

Wait 16  $\mu$ sec (double density) or 32  $\mu$ sec (single density) before issuing a new command after issuing a forced interrupt. Loading a new command sooner than this nullifies the forced interrupt.

Forced interrupt stops any command at the end of an internal micro-instruction and generates INTRQ when the specified condition is met. Forced interrupt waits until ALU operations in progress are complete (CRC calculations, compares, etc.).

### Status Register

Upon receipt of any command, except the Force Interrupt Command, the Busy Status Bit is set and the rest of the status bits are updated or cleared for the new command. If the Force Interrupt Command is received when there is a current command under execution, the Busy Status Bit is reset, and the rest of the status bits are unchanged. If the Force Interrupt Command is received when there is not a current command under execution, the Busy Status Bit is reset and the rest of the status bits are updated or cleared. In this case, Status reflects the Type I commands.

The user has the option of reading the Status Register through program control or using the DRQ line with DMA or interrupt methods. When the Data Register is read the DRQ bit in the Status Register and the DRQ line are automatically reset. A write to the Data Register also causes both DRQ's to reset.

The Busy Bit in the status may be monitored with a user program to determine when a command is complete, in lieu of using the INTRQ line. When using the INTRQ, a Busy Status check is not recommended because a read of the Status Register to determine the condition of busy resets the INTRQ line.

The format of the Status Register is shown below:

| (BITS) |    |    |    |    |    |    |    |
|--------|----|----|----|----|----|----|----|
| 7      | 6  | 5  | 4  | 3  | 2  | 1  | 0  |
| S7     | S6 | S5 | S4 | S3 | S2 | S1 | S0 |

Because of internal sync cycles, certain time delays are observed when operating under programmed I/O, as shown.

| Operation             | Next Operation               | Delay Req'd. |              |
|-----------------------|------------------------------|--------------|--------------|
|                       |                              | FM           | MFM          |
| Write to Command Reg. | Read Busy Bit (Status Bit 0) | 48 $\mu$ sec | 24 $\mu$ sec |
| Write to Command Reg. | Read Status Bits 1-7         | 64 $\mu$ sec | 32 $\mu$ sec |
| Write Register        | Read Same Register           | 32 $\mu$ sec | 16 $\mu$ sec |

## RECOMMENDED - 128 BYTES/SECTOR

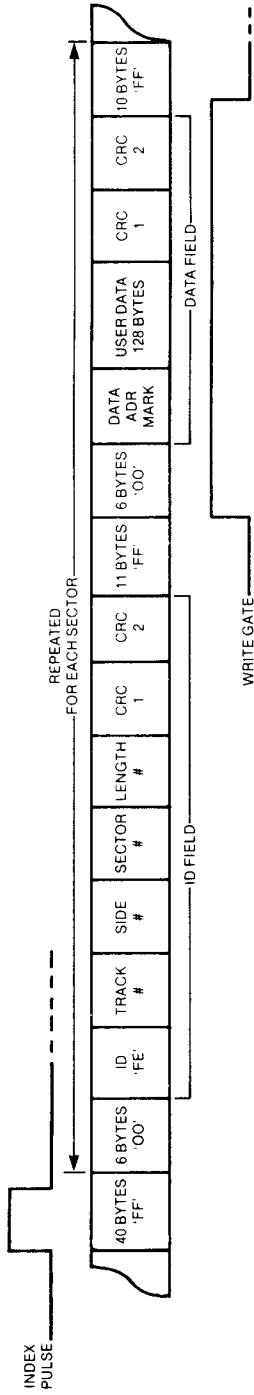
The recommended single-density format with 128 bytes/sector is shown. In order to format a diskette, the user issues the Write Track Command, and loads the Data Register with the following values. For every byte to be written, there is one Data Request.

| NUMBER OF BYTES | HEX VALUE OF BYTE WRITTEN |
|-----------------|---------------------------|
| 40              | FF (or 00)                |
| 6               | 00                        |
| 1               | FE (ID Address Mark)      |
| 1               | Track Number              |
| 1               | Side Number (00 or 01)    |
| 1               | Sector Number (1 thru 10) |
| 1               | 00 (Sector Length)        |
| 1               | F7 (2 CRC's written)      |
| 11              | FF (or 00)                |
| 6               | 00                        |
| 1               | FB (Data Address Mark)    |
| 128             | Data (IBM uses E5)        |
| 1               | F7 (2 CRC's written)      |
| 10              | FF (or 00)                |
| 369**           | FF (or 00)                |

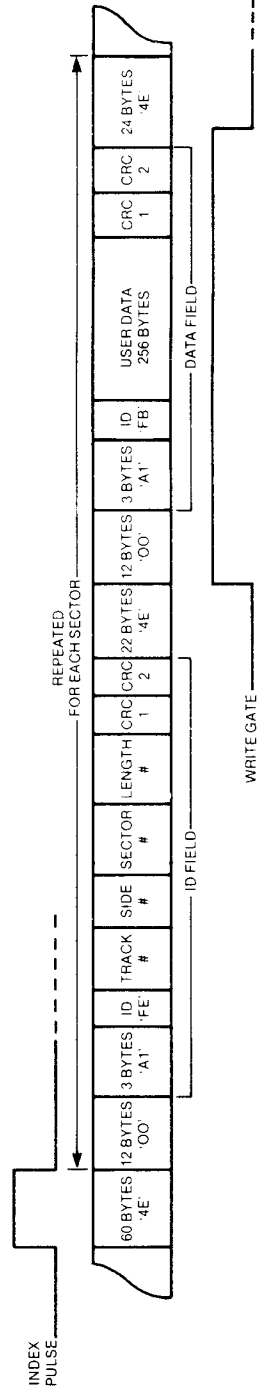
\*Write bracketed field 16 times.

\*\*Continue writing until WD177X-00 interrupts out. Approx. 369 bytes.





**SINGLE DENSITY FORMAT**



**DOUBLE DENSITY FORMAT**

**256 BYTES/SECTOR**

Shown below is the recommended dual-density format with 256 bytes/sector. In order to format a diskette the user issues the Write Track Command and loads the Data Register with the following values. For every byte to be written, there is one data request.

| NUMBER OF BYTES | HEX VALUE OF BYTE WRITTEN |
|-----------------|---------------------------|
| 60              | 4E                        |
| 12              | 00                        |
| 3               | F5 (Writes A1)            |
| 1               | FE (ID Address Mark)      |
| 1               | Track Number (0 thru 4C)  |
| 1               | Side Number (0 or 1)      |
| 1               | Sector Number (1 thru 10) |
| 1               | 01 (Sector Length)        |
| 1               | F7 (2 CRC's written)      |
| 22              | 4E                        |
| 12              | 00                        |
| 3               | F5 (Writes A1)            |
| 1               | FB (Data Address Mark)    |
| 256             | DATA                      |
| 1               | F7 (Data Address Mark)    |
| 24              | 4E                        |
| 668**           | 4E                        |

\*Write bracketed field 16 times.

\*\*Continue Writing until WD177X-00 interrupts out. Approx. 668 bytes.

**1. Non-Standard Formats**

Variations in the recommended formats are possible to a limited extent if the following requirements are met:

- 1) Sector size must be 128, 256, 512 or 1024 bytes.
- 2) Gap 2 cannot be varied from the recommended format.
- 3) 3 bytes of A1 must be used in MFM.

In addition, the Index Address Mark is not required for operation by the WD177X-00. Gap 1, 3 and 4 lengths are as short as 2 bytes for WD177X-00 operation, however PLL lock up time, motor speed variation, write-splice area, etc. adds more bytes to each gap to achieve proper operation. For highest system reliability use the recommended format.

|           | FM          | MFM         |
|-----------|-------------|-------------|
| Gap I     | 16 bytes FF | 32 bytes 4E |
| Gap II    | 11 bytes FF | 22 bytes 4E |
| *         | 6 bytes 00  | 12 bytes 00 |
| *         |             | 3 bytes A1  |
| Gap III** | 10 bytes FF | 24 bytes 4E |
|           | 4 bytes 00  | 8 bytes 00  |
|           |             | 3 bytes A1  |
| Gap IV    | 16 bytes FF | 16 bytes 4E |

\*Byte counts must be exact.

\*\*Byte counts are minimum, except exactly 3 bytes of A1 must be written.

**STATUS REGISTER DESCRIPTION (WD1770-00 and WD1772-00 only)**

| BIT NAME                  | MEANING  |
|---------------------------|--|
| S7 MOTOR ON               | This bit reflects the status of the Motor On output.   |
| S6 WRITE PROTECT          | On Read Record: Not Used. On Read Track: Not Used. On any Write: It indicates a Write Protect. This bit is reset when updated.   |
| S5 RECORD TYPE/SPIN-UP    | When set, this bit indicates that the Motor Spin-Up sequence has completed (6 revolutions) on Type 1 commands. Type 2 & 3 commands, this bit indicates record Type. 0 = Data Mark. 1 = Deleted Data Mark.  |
| S4 RECORD NOT FOUND (RNF) | When set, it indicates that the desired track, sector, or side were not found. This bit is reset when updated.   |
| S3 CRC ERROR              | If S4 is set, an error is found in one or more ID fields; otherwise it indicates error data field. This bit is reset when updated.   |
| S2 LOST DATA/ BYTE        | When set, it indicates the computer did not respond to DRQ in one byte time. This bit is reset to zero when updated. On Type 1 commands, this bit reflects the status of the TR00 signal.  |
| S1 DATA REQUEST INDEX     | This bit is a copy of the DRQ output. When set, it indicates the DR is full on a Read Operation or the DR is empty on a Write operation. This bit is reset to zero when updated. On Type 1 commands, this bit indicates the status of the IP signal. |
| S0 BUSY                   | When set, command is under execution. When reset, no command is under execution.   |

**STATUS REGISTER SUMMARY (WD1773-00 only)**

WD177X-00

| BIT | ALL TYPE I COMMANDS | READ ADDRESS | READ SECTOR | READ TRACK | WRITE SECTOR  | WRITE TRACK   |
|-----|---------------------|--------------|-------------|------------|---------------|---------------|
| S7  | NOT READY           | NOT READY    | NOT READY   | NOT READY  | NOT READY     | NOT READY     |
| S6  | WRITE PROTECT       | 0            | 0           | 0          | WRITE PROTECT | WRITE PROTECT |
| S5  | HEAD LOADED         | 0            | RECORD TYPE | 0          | WRITE FAULT   | WRITE FAULT   |
| S4  | SEEK ERROR          | RNF          | RNF         | 0          | RNF           | 0             |
| S3  | CRC ERROR           | CRC ERROR    | CRC ERROR   | 0          | CRC ERROR     | 0             |
| S2  | TRACK 0             | LOST DATA    | LOST DATA   | LOST DATA  | LOST DATA     | LOST DATA     |
| S1  | INDEX PULSE         | DRQ          | DRQ         | DRQ        | DRQ           | DRQ           |
| S0  | BUSY                | BUSY         | BUSY        | BUSY       | BUSY          | BUSY          |

**STATUS FOR TYPE I COMMANDS (WD1773-00 only)**

| BIT NAME       | MEANING  |
|----------------|--|
| S7 NOT READY   | This bit when set indicates the drive is not ready. When reset it indicates that the drive is ready. This bit is an inverted copy of the Ready input and logically "ORed" with MR. |
| S6 PROTECTED   | When set, indicates Write Protect is activated. This bit is an inverted copy of WRPT input.  |
| S5 HEAD LOADED | When set, it indicates the head is loaded and engaged. This bit is a logical "and" of HLD and HLT signals.   |
| S4 SEEK ERROR  | When set, the desired track was not verified. This bit is reset to 0 when updated.   |
| S3 CRC ERROR   | CRC encountered in ID field.   |
| S2 TRACK 00    | When set, indicates Read/Write head is positioned to Track 0. This bit is an inverted copy of the TR00 input.  |
| S1 INDEX       | When set, indicates index mark detected from drive. This bit is an inverted copy of the IP input.  |
| S0 BUSY        | When set, command is in progress. When reset no command is in progress.  |

**STATUS FOR TYPE II AND III COMMANDS (WD1773-00 ONLY)**

| BIT NAME                  | MEANING  |
|---------------------------|--|
| S7 NOT READY              | This bit when set indicates the drive is not ready. When reset, it indicates that the drive is ready. This bit is an inverted copy of the Ready input and "ORed" with MR. The Type II and III Commands will not execute unless the drive is ready. |
| S6 WRITE PROTECT          | On Read Record: Not Used. On Read Track: Not Used. On any Write: It indicates a Write Protect. This bit is reset when updated.   |
| S5 RECORD TYPE            | On Read Record: It indicates the record-type code from data field address mark. 1 = Deleted Data Mark. 0 = Data Mark. On any Write: Forced to a Zero.  |
| S4 RECORD NOT FOUND (RNF) | When set, it indicates that the desire track, sector, or side were not found. This bit is reset when updated.  |
| S3 CRC ERROR              | If S4 is set, an error is found in one or more ID fields; otherwise it indicates error in data field. This bit is reset when updated.  |
| S2 LOST DATA              | When set, it indicates the computer did not respond to DRQ in one byte time. This bit is reset to zero when updated.   |
| S1 DATA REQUEST           | This bit is a copy of the DRQ output. When set, it indicates the DR is full on a Read Operation or the DR is empty on a Write operation. This bit is reset to zero when updated.   |
| S0 BUSY                   | When set, command is under execution. When reset, no command is under execution.   |

**DC ELECTRICAL CHARACTERISTICS**

**MAXIMUM RATINGS**

Storage Temperature .....55°C (67°F) to +125°C (257°F)  
 Operating Temperature.....0°C (32°F) to 70°C (158°F) Ambient  
 Maximum Voltage to Any Input with Respect to  $V_{SS}$  ..... +7V to -0.5V

**NOTE**

Maximum limits indicate where permanent device damage occurs. Continuous operation at these limits is not intended and should be limited to those conditions specified in the DC Operating Characteristics.

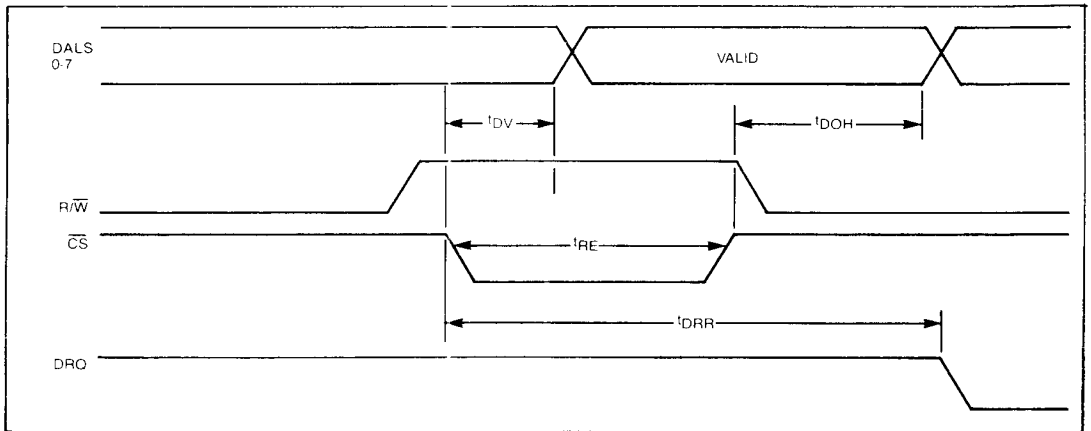
**DC OPERATING CHARACTERISTICS**

$T_A = 0^\circ\text{C}(32^\circ\text{F})$  to  $70^\circ\text{C}(158^\circ\text{F})$ ,  $V_{SS} = 0\text{V}$ ,  $V_{CC} = +5\text{V} \pm .25\text{V}$

| SYMBOL   | CHARACTERISTIC      | MIN     | MAX  | UNITS         | CONDITIONS               |
|----------|---------------------|---------|------|---------------|--------------------------|
| $I_{IL}$ | Input Leakage       |         | 10   | $\mu\text{A}$ | $V_{IN} = V_{CC}$        |
| $I_{OL}$ | Output Leakage      |         | 10   | $\mu\text{A}$ | $V_{OUT} = V_{CC}$       |
| $V_{IH}$ | Input High Voltage  | 2.0     |      | V             |                          |
| $V_{IL}$ | Input Low Voltage   |         | 0.8  | V             |                          |
| $V_{OH}$ | Output High Voltage | 2.4     |      | V             | $I_o = -100 \mu\text{A}$ |
| $V_{OL}$ | Output Low Voltage  |         | 0.40 | V             | $I_o = 1.6 \text{ mA}$   |
| $P_D$    | Power Dissipation   |         | .75  | W             |                          |
| $R_{PU}$ | Internal Pull-Up    | 100     | 1700 | $\mu\text{A}$ | $V_{IN} = 0\text{V}$     |
| $I_{CC}$ | Supply Current      | 75(Typ) | 150  | mA            |                          |

**AC TIMING CHARACTERISTICS**

$T_A = 0^\circ\text{C}(32^\circ\text{F})$  to  $70^\circ\text{C}(158^\circ\text{F})$ ,  $V_{SS} = 0\text{V}$ ,  $V_{CC} = +5\text{V} \pm .25\text{V}$

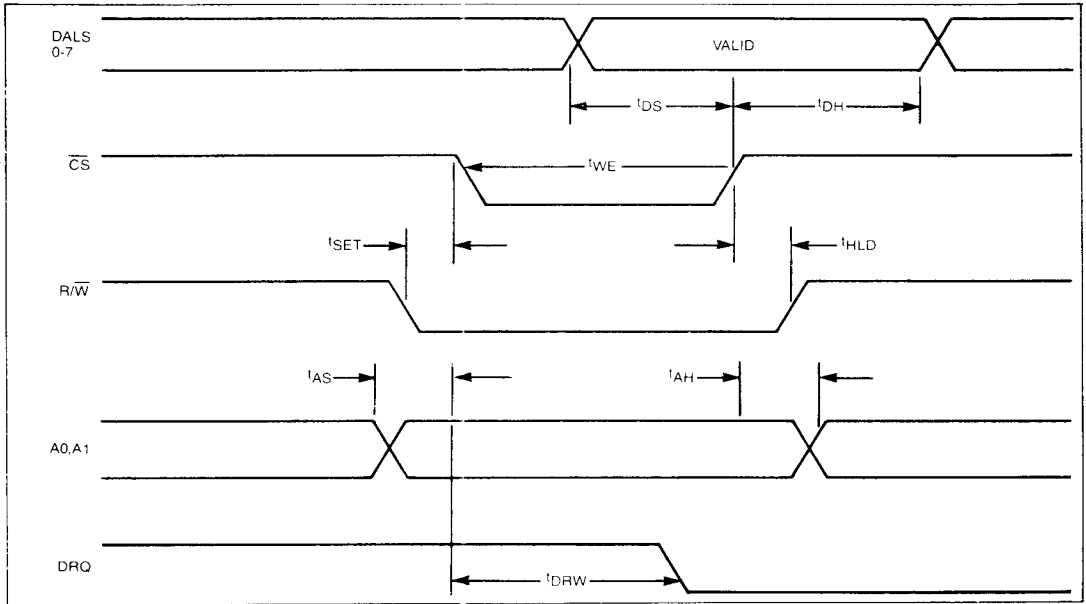


**READ ENABLE TIMING**

**READ ENABLE TIMING** -  $\overline{RE}$  such that:  $R/\overline{W} = 1$ ,  $\overline{CS} = 0$ .

| SYMBOL    | CHARACTERISTIC                                 | MIN | TYP | MAX | UNITS           | CONDITIONS            |
|-----------|--|-----|-----|-----|-----------------|-----------------------|
| $t_{RE}$  | $\overline{RE}$ Pulse Width of $\overline{CS}$ | 200 |     |     | nsec            | $C_L = 50 \text{ pf}$ |
| $t_{DRR}$ | DRQ Reset from $\overline{RE}$                 |     | 200 | 300 | nsec            |                       |
| $t_{DV}$  | Data Valid from $\overline{RE}$                |     | 100 | 200 | nsec            | $C_L = 50 \text{ pf}$ |
| $t_{DOH}$ | Data Hold from $\overline{RE}$                 | 20  |     | 150 | nsec            | $C_L = 50 \text{ pf}$ |
|           | INTRQ Reset from $\overline{RE}$               |     |     | 8   | $\mu\text{sec}$ |                       |

Note: DRQ and INTRQ reset are from rising edge (lagging) of  $\overline{RE}$ , whereas resets are from falling edge (leading) of WE. Worst case service time for DRQ is 23.5  $\mu\text{sec}$  for MFM and 47.5  $\mu\text{sec}$  for FM.



**WRITE ENABLE TIMING**

**WRITE ENABLE TIMING** -  $\overline{WE}$  such that:  $R/\overline{W} = 0, \overline{CS} = 0$ .

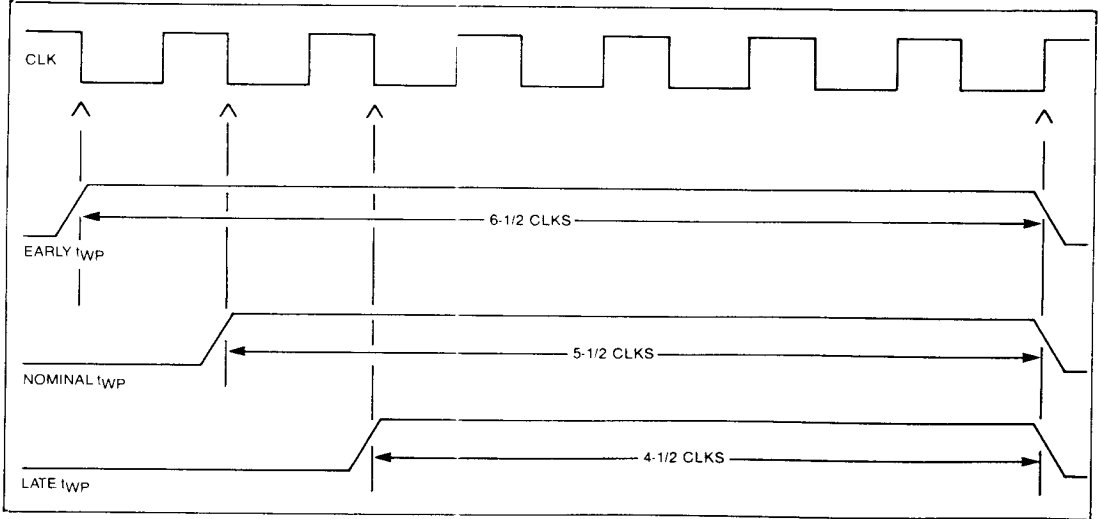
| SYMBOL    | CHARACTERISTIC                   | MIN | TYP | MAX | UNITS     | CONDITIONS |
|-----------|----------------------------------|-----|-----|-----|-----------|------------|
| $t_{AS}$  | Setup ADDR to $\overline{CS}$    | 50  |     |     | nsec      |            |
| $t_{SET}$ | Setup R/W to $\overline{CS}$     | 0   |     |     | nsec      |            |
| $t_{AH}$  | Hold ADDR from $\overline{CS}$   | 10  |     |     | nsec      |            |
| $t_{HLD}$ | Hold R/W from $\overline{CS}$    | 0   |     |     | nsec      |            |
| $t_{WE}$  | WE Pulse Width                   | 200 |     |     | nsec      |            |
| $t_{DRW}$ | DRQ Reset from $\overline{WE}$   |     | 100 | 200 | nsec      |            |
| $t_{DS}$  | Data Setup to $\overline{WE}$    | 150 |     |     | nsec      |            |
| $t_{DH}$  | Data Hold from $\overline{WE}$   | 0   |     |     | nsec      |            |
|           | INTRQ Reset from $\overline{WE}$ |     |     | 8   | $\mu$ sec |            |

**READ DATA TIMING:**

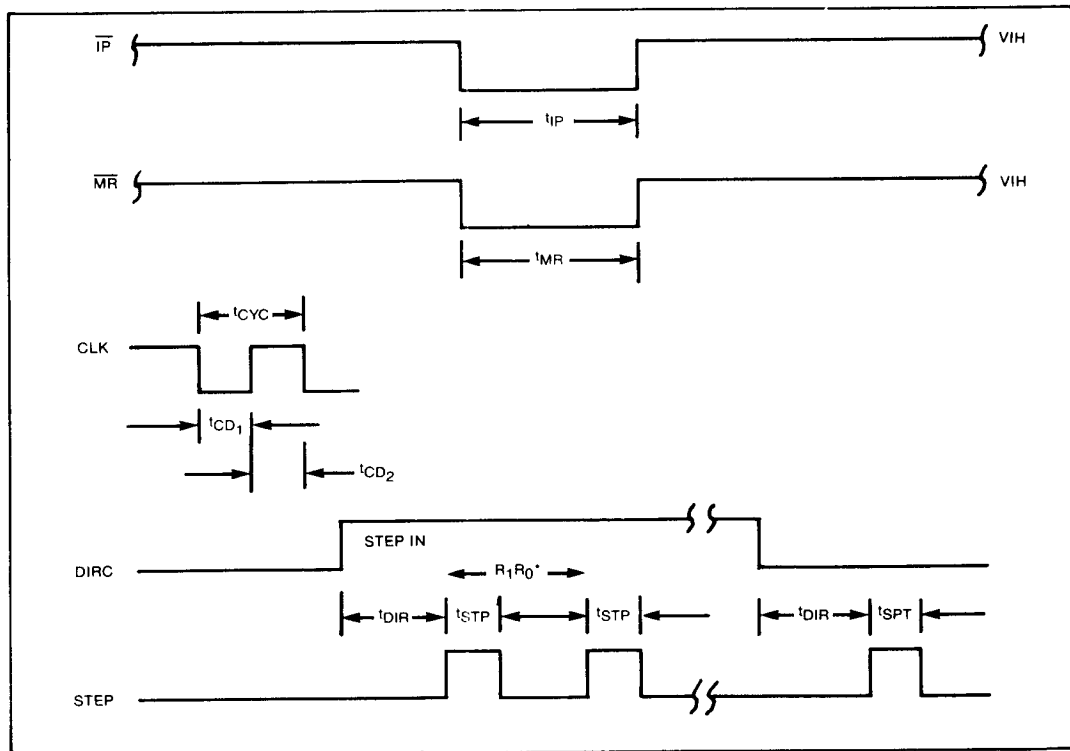
| CHARACTERISTIC       | MIN  | TYP | MAX | UNITS     | CONDITIONS |
|----------------------|------|-----|-----|-----------|------------|
| Raw Read Pulse Width | .200 |     | 3   | $\mu$ sec | MFM        |
| Raw Read Cycle Time  | .400 |     | 3   | $\mu$ sec | FM         |
|                      | 3    |     |     | $\mu$ sec |            |

**WRITE DATA TIMING:**

| SYMBOL          | CHARACTERISTIC           | MIN | TYP   | MAX | UNITS | CONDITIONS  |
|-----------------|--------------------------|-----|-------|-----|-------|-------------|
| t <sub>WP</sub> | Write Gate to Write Data |     | 4     |     | μsec  | FM          |
|                 |                          |     | 2     |     | μsec  | MFM         |
|                 | Write Data Cycle Time    |     | 4,6,8 |     | μsec  |             |
|                 | Write Gate off from WD   |     | 4     |     | μsec  | FM          |
|                 |                          |     | 2     |     | μsec  | MFM         |
|                 | Write Data Pulse Width   |     | 820   |     | nsec  | Early MFM   |
|                 |                          |     | 690   |     | nsec  | Nominal MFM |
|                 |                          |     | 570   |     | nsec  | Late MFM    |
|                 |                          |     | 1.38  |     | μsec  | FM          |



**WRITE DATA TIMING**



MISCELLANEOUS TIMING

MISCELLANEOUS TIMING:

| SYMBOL    | CHARACTERISTIC           | MIN | TYP | MAX | UNITS     | CONDITIONS |
|-----------|--------------------------|-----|-----|-----|-----------|------------|
| $t_{CD1}$ | Clock Duty (low)         | 50  | 67  |     | nsec      | MFM<br>FM  |
| $t_{CD2}$ | Clock Duty (high)        | 50  | 67  |     | nsec      |            |
| $t_{STP}$ | Step Pulse Output        |     | 4   |     | $\mu$ sec |            |
| $t_{DIR}$ | Dir Setup to Step        |     | 8   |     | $\mu$ sec | MFM        |
|           |                          |     | 24  |     |           | MFM        |
|           |                          |     | 48  |     |           | FM         |
| $t_{MR}$  | Master Reset Pulse Width | 50  |     |     | $\mu$ sec |            |
| $t_{IP}$  | Index Pulse Width        | 20  |     |     | $\mu$ sec |            |





# **WESTERN DIGITAL**

C O R P O R A T I O N

## **WD177X-00 Floppy Disk Formatter/Controller Family**

### **Application Notes**

---

WD177X-00

#### **INTRODUCTION**

To meet the demand for a low cost compact LSI Floppy Disk Controller device, Western Digital has developed the WD177X-00. The WD177X-00 is a NMOS Floppy Disk Controller device that incorporates the FD179X, a digital data separator and write precompensation circuitry all in a single chip. The device offers soft sector formatting, selectable stepping rates, automatic track seek with verify, and variable sector lengths. The FD177X-00 comes in a 28-pin dual-in-line package or quad pack and operates from a single 5 volt only power supply.

#### **APPLICATIONS**

The Mini-Floppy Controller is targeted for the low cost sector of the disk drive market, where digital data separation is preferred over analog phase lock loop. Included in this market are Personal Computers, Portable Computers and Small Business Computers.

#### **FOLLOW ON DEVICES**

##### **WD1772-02**

The device is the same as the WD1772-00 except for an enhanced digital data separator.

#### **HOST INTERFACING**

Interfacing to a Host processor is accomplished through the eight bit bi-directional Data Access Lines (DAL) and associated control lines. The DAL is used to transfer data, status and control words out of or into WD177X-00. The DAL having three states enabled as an output when Chip Select (CS) is active low and Read/Write (R/W) is high or as input receiver when CS and R/W is low. When transfer of data with the device is required by the Host CS is made low. The address bits A0 and A1 combined with the R/W line select the register and the direction of data.

During Direct Memory Access (DMA) data transfers between the WD177X-00 and Host Memory, the Data Request (DRQ) line is used in Data Transfer Control. This signal also appears as status bit 1 during Read/Write operations. On Disk Read operations the DRQ is active when an assembled byte is present in the Data Register, then reset when read by the Host. If the Host fails to read the Data Register before the following byte is assembled in the Data Register, the lost data bit is set in Status Register.

At the completion of every command INTRQ is asserted. INTRQ is de-asserted by either reading the status or by loading the Command Register.

#### **DISKETTE DRIVE INTERFACING**

The WD177X-00 has two modes of operation depending on the state of DDEN, regardless of the state of DDEN the CLK input remains at 8 MHz. Disk Reads with sector lengths of 128, 256, 512 and 1024 byte sector in both FM or MFM diskettes is accomplished via the internal digital data separator. Disk Write operation in MFM on inner tracks may require write precompensation. Write precompensation is enabled when bit 1 = 0, in the Write command and a precompensation value of 125 nsec is produced.

The diskettes spindle motor is controlled by bit 3 of any Type I, II or III command, upon receiving a command with bit 3 = 0, the spin up sequence is enabled.

#### **GENERAL INFORMATION**

A +5 volt supply  $\pm 5\%$  is used as  $V_{CC}$ , and the clock input requires a free running 50% duty cycle at 8 MHz  $\pm 0.1\%$ .